

hanskonner

надежно. профессионально

[Ханс Кённер]

HSTG7661EBS

NO.	DESCRIPTION	NO.	DESCRIPTION
1	upper handle (right)	28	stopper spring
2	panel	29	screw M8x60
3	nut M8	30	long rod
4	right pulley set	31	rivet 4x10
5	bolt M8x40	32	heated handle
6	bolt M6x20	33	left control lever
7	small shaft sleeve	34	jam nut M6
8	pulley	35	short bushing
9	handle seat	36	input wire
10	bolt M8x45	37	switch
11	long cable	38	deflector cable
12	bolt M8x35	39	spring
13	B pin $\varnothing 1.5 \times 25$	40	left pulley seat
14	gear handle lever	41	5# plastic cover
15	nut M10	42	rotating handle
16	gear handle	43	rubber pad
17	deflector handle lever	44	speed control assembly
18	jam nut M6	45	upper handle (left)
19	spring	46	flexible shaft
20	short rod	47	screw M6x10
21	right control lever	48	flat washer 6
22	rubber pad	49	decoration plate for light cover
23	washer 8	50	cover
24	screw M8x150	51	plastic sheet
25	stopper	52	jam nut M6
26	pin	53	LED light
27	cam	54	screw ST3.5x16-F

HSTG7661EBS-ex-RU20210512

надежно. профессионально

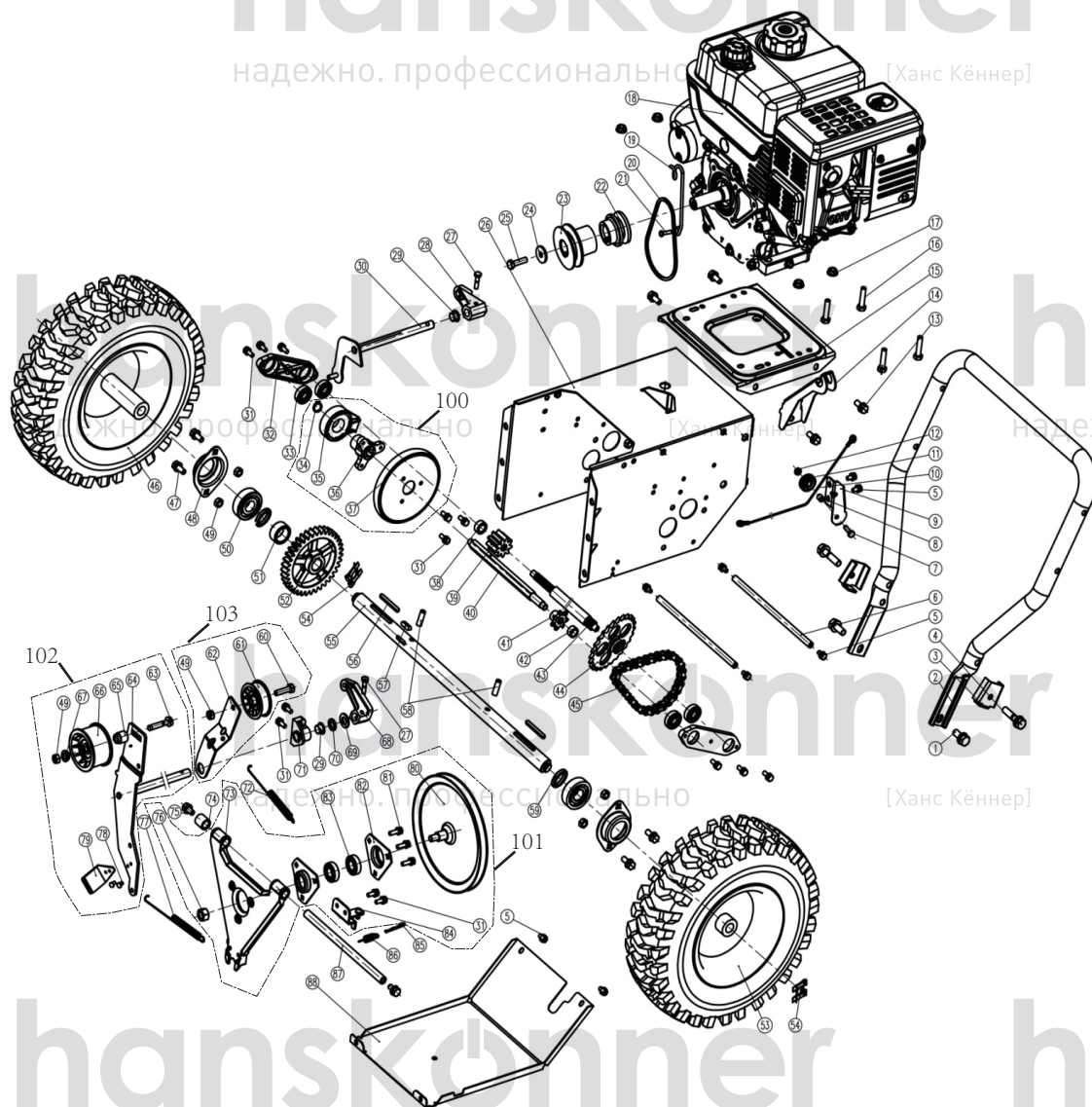
[Ханс Кённер]

надежно. профессионально

[Ханс Кённер]

hanskonner

надежно. профессионально [Ханс Кённер]



HSTG7661EBS

NO.	DESCRIPTION	NO.	DESCRIPTION
1	bolt M10x25	47	bolt M8x16
2	handlebar	48	bearing seat
3	handle connecting plate	49	jam nut M8
4	Bolt M10x45	50	ball bearing 6205
5	Bolt M6x16	51	shaft sleeve 25x34x16
6	strut	52	drive gear
7	bolt M6x20	53	14X4.6-6 tubeless tyre, right
8	small shaft sleeve	54	clip
9	pulley seat	55	drive shaft
10	short wire	56	flat key 6x4x45
11	pulley	57	flat key 8x7x22
12	jam nut M6	58	spring pin
13	bolt M8X20	59	shaft sleeve 25x34x6
14	connecting plate	60	bolt M8X30
15	enging plate	61	small tension pulley
16	bolt M8X40	62	small tension plate
17	jam nut M8	63	bolt M8x45
18	engine	64	big tension combination
19	G250 cable hook	65	bushing
20	belt	66	big tension pulley
21	bolt M6X15	67	pad
22	drive wheel	68	tension connector
23	drive pulley 2	69	flat washer; \varnothing 12
24	washer 8	70	spring washer \varnothing 13
25	bolt M8X1X30	71	fixing block
26	transmission box assembly	72	spring
27	bolt M6x20	73	support for friction disc
28	shift connector	74	sleeve 13x20x20
29	plastic sleeve	75	bolt M8X16
30	shift fork	76	jam nut M12
31	bolt M6X16	77	brake spring
32	bearing seat	78	rivet 4x12
33	ball bearing 6200	79	brake block
34	circlip 25	80	belt pulley
35	shift bearing	81	bolt M6x20
36	rubber wheel seat	82	delta bearing seat
37	rubber wheel	83	ball bearing 6002
38	sleeve 15x20x15	84	position part
39	small gear	85	B Pin; \varnothing 1.5X25
40	hexagon shaft	86	reset spring
41	small chain wheel	87	strut
42	sleeve 12x15x8	88	bottom plate for transmission box
43	transit shaft	100	Rubber Wheel assembly
44	chain wheel	101	Friction disc assembly
45	chain 085-32	102	big tension assembly
46	14X4.6-6 tubeless tyre, left	103	small tension assembly

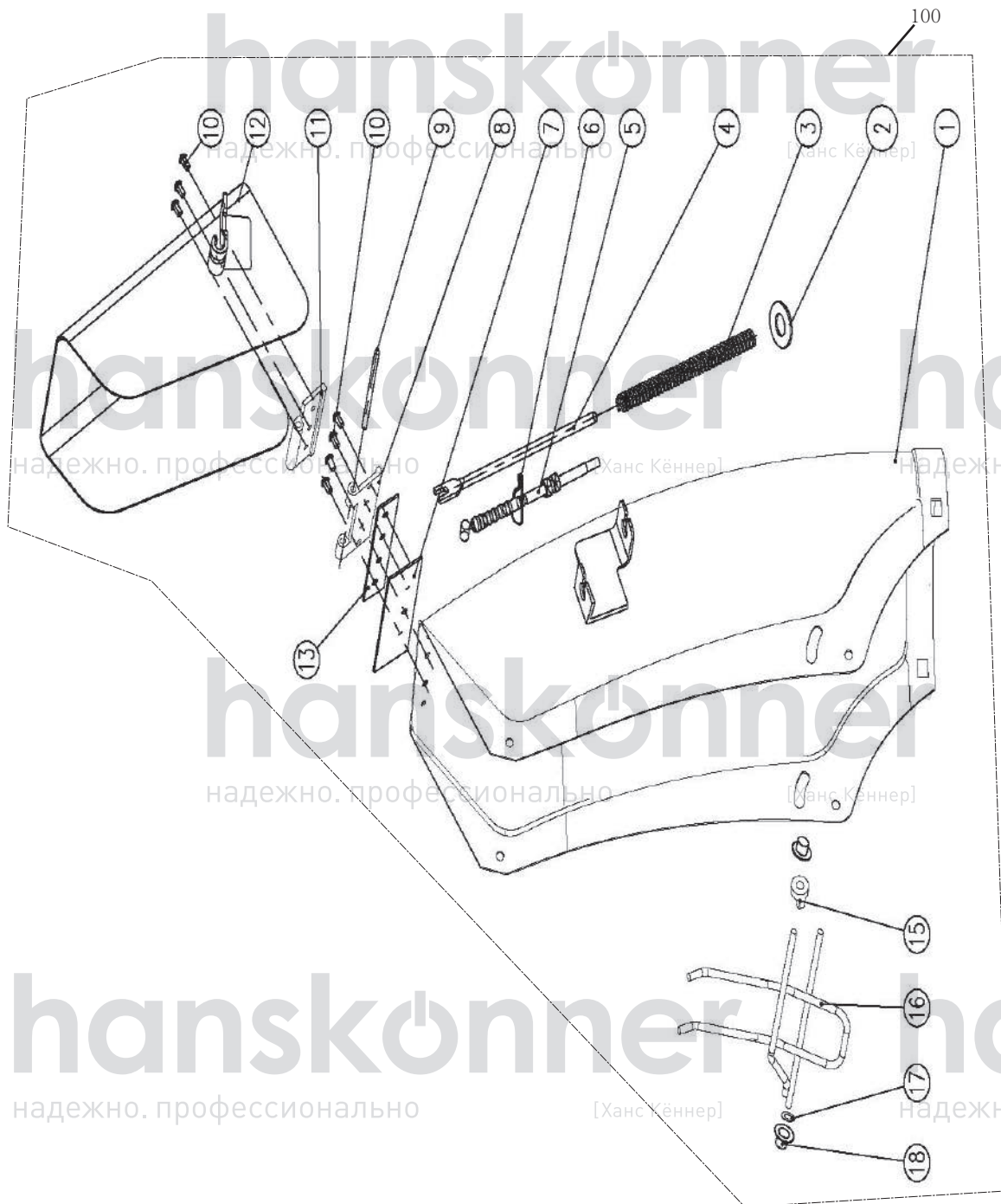
HSTG7661EBS-ex-RU20221207

надежно. профессионально

[Ханс Кённер]

надежно. профессионально

[Ханс Кённер]



hanskonner

надежно. профессионально

HSTG7661EBS

[Ханс Кённер]

NO.	DESCRIPTION
1	chute welded
2	washer C8
3	deflector spring
4	strut
5	deflector cable
6	tie
7	sealing plate
8	lower hinge
9	hinge axle
10	rivet 4x10
11	upper hinge
12	deflector welded
13	sealing washer
15	washer for barrier
16	barrier
17	plastic washer
18	cap 6
100	chute assembly

HSTG7661EBS-ex-RU20221207

hanskonner

надежно. профессионально

[Ханс Кённер]

hanskonner

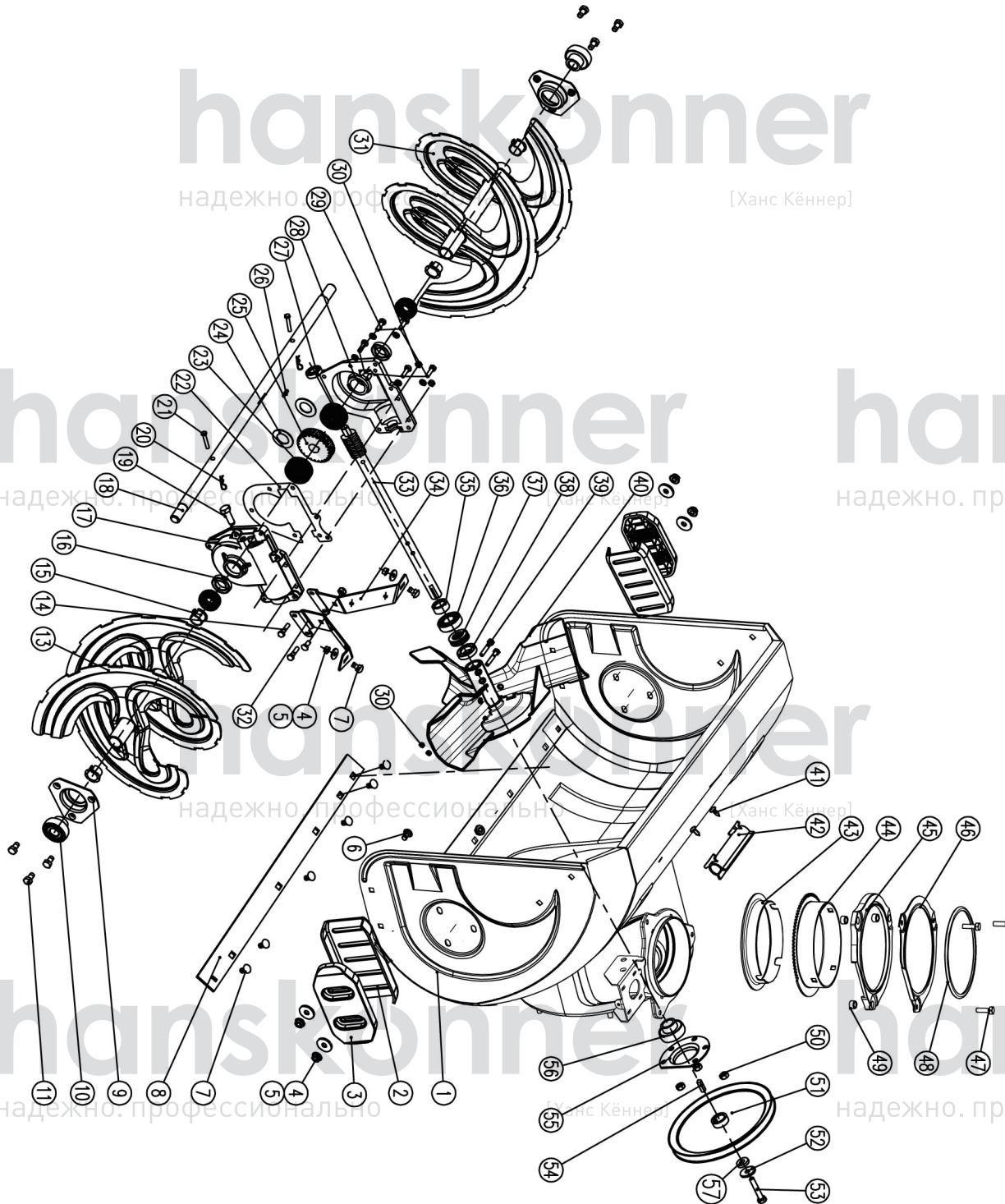
надежно. профессионально

[Ханс Кённер]

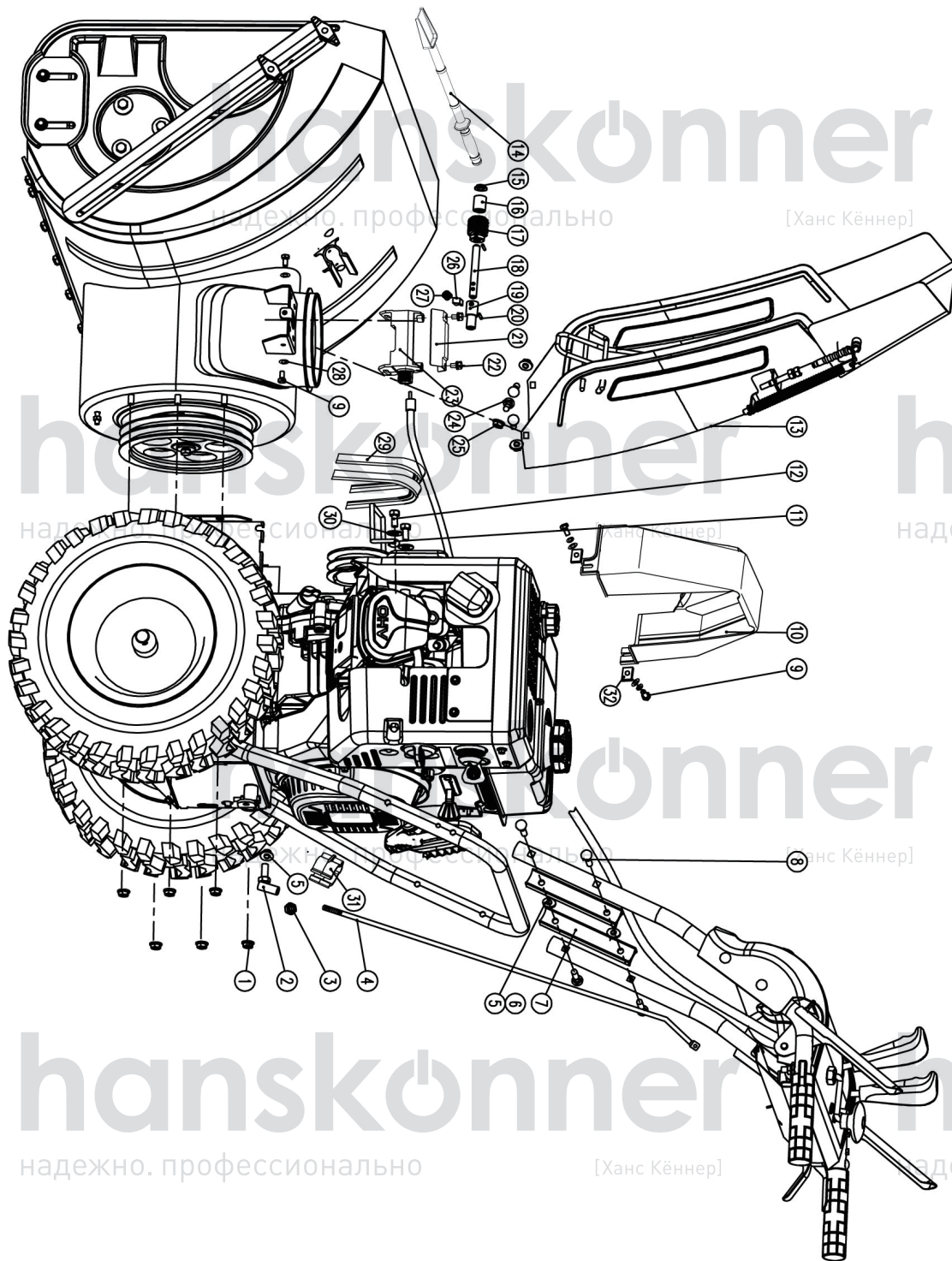
надежно. профессионально

[Ханс Кённер]

HSTG7661EBS



NO.	DESCRIPTION
1	HOUSING ASSEMBLE (24)
2	SKID SHOE
3	SKID SHOE
4	NUT M8
5	WASHER 8
6	BOLT M8X25
7	BOLT M8X16
8	SHAVE PLATE (24)
9	BEARING COVER
10	NON-STANDARD BEARING
11	SCREW M8X16
13	RIGHT AUGER (24)
14	BOLT M6X25
15	BUSHING
16	FW SEALING RING 22X40X7
17	RIGHT WORM HOUSING
18	OUTPUT SHAFT (24)
19	BOLT M10X15
20	B PINCHCOCK
21	SAFETY BOLT
22	PAPER WASHER
23	BEARING
24	WASHER 22
25	WORM GEAR
26	FLAT KEY B6X6X18
27	BALL BEARING 6001
28	LEFT WORM HOUSING
29	BOLT M6X25
30	JAM NUT M6
31	LEFT AUGER (24)
32	RIGHT SUPPORT
33	WORM SHAFT
34	LEFT SUPPORT
35	SHAFT SLEEVE
36	BALL BEARING 6004
37	BALL BEARING 51104
38	SEALING RING 20X35X7
39	BOLT M6X35
40	FAN
41	SCREW ST4.2X9.5-F
42	SHOVEL SUPPORT
43	PLASTIC WASHER
44	GEAR PLATE
45	GEAR PLATE COVER
46	METAL COVER
47	BOLT M8X25
48	RUBBER RING
49	WASHER
50	JAM NUT M8
51	BELT PULLEY
52	WASHER 11*34*3
53	BOLT M10X25 (LEFT ROTATE)
54	A FLAT KEY 6X6X20
55	ROUND COVER
56	BALL BEARING
57	WASHER FOR BELT PULLEY



HSTG7661EBS

NO.	DESCRIPTION
1	JAM NUT M8
2	RIGHT GIMBAL
3	NUT M8X1
4	GEAR CONNECTOR BAR
5	NUT M8
6	CONCAVE GASKET / 8*22*2
7	ARMREST ALUMINUM PAD
8	BOLTS M8X55
9	HEXAGON HEAD COMBINATION BOLTS M6X16
10	BELT COVER
11	BELT ROD
12	BOLT M8X20
13	CHUTE ASSEMBLY
14	SNOW SHOVEL
15	HELICAL BRACKET WASHERS
16	LONG WASHERS
17	HOLLOW WORM
18	MANDREL
19	LOWER CONNECTION TUBE
20	ELASTIC CYLINDRICAL PIN 3 * 18
21	ROTATING FRAME COVER
22	SCREW M6X16
23	ROTATING FRAME
24	BOLT M8X16
25	HEXAGON LOCK NUT M8
26	FRICTION PAD
27	FRICTION SPRING
28	WASHER C6
29	BELT
30	WASHER C8
31	CABLE HOLDER
32	BELT COVER WASHER

HSTG7661EBS-ex-RU20221207

hanskonner hanskonner

надежно. профессионально

[Ханс Кённер]

надежно. профессионально

[Ханс Кённер]